



January 7th, 2026

ADDENDUM NO: 1

Project: West Side Health Dental Improvement
100 E. North Street, Taft, CA

The following items are in reference to and shall be made part of the plans dated 12-16-25 for the above referenced project. Any discrepancies between this information and the issued plans shall be reported to the Architect immediately for additional clarification:

GENERAL

- Item 1: Blum hinges can be used for cabinet door hinges. Hinge finish shall match door and drawer pulls.
- Item 2: Cabinet finish shall be Smoked Walnut Y0639.
- Item 3: Keynote 'J' on sheet A-2.0 shall be omitted. All cabinetry shown on floor plan and interior elevations shall be provided and installed by contractor.
- Item 4: Remove under counter cabinets in Sterile/Lab per attached diagram. Counter to be supported per detail 6/A-1.0. Counter supports shall be installed at 48" o.c. for Lab and all similar counters
- Item 5: Electrical demolition shall be as noted on plans and to accommodate all new construction. This scope of work can be included in either the electrical bid or demolition bid.
- Item 6: Data wiring shall be provided and installed by Owner. General contractor shall provide conduit and pull strings.
- Item 7: Contractor shall coordinate timing of complete shutdown of facility for connection of new MSB with Owner as discussed during 2-3-26 job walk.
- Item 8: Lighting controls shall be T-24 approved time clock with 2-hour override per plans. This is not brand specific. Note proposed brand as part of submitted bid. See attached "Lighting Control Diagram-Occupant Sensor / Receptacle" diagram
- Item 9: MSB service is to tie into utility company service and shall be determined when available. For bidding purposes, include allowance for 50 feet of underground in the direction of the existing infrastructure, trenching, backfill and repair of existing concrete and landscaping. Allowance shall be itemized.

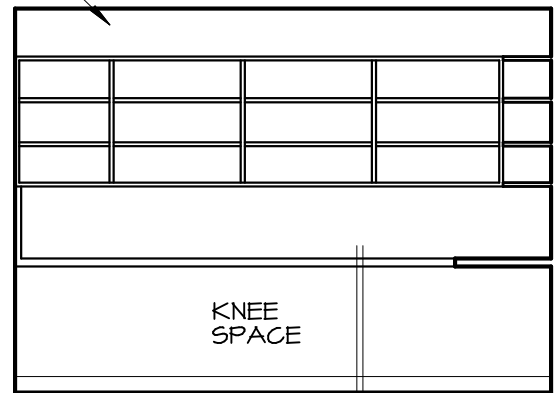
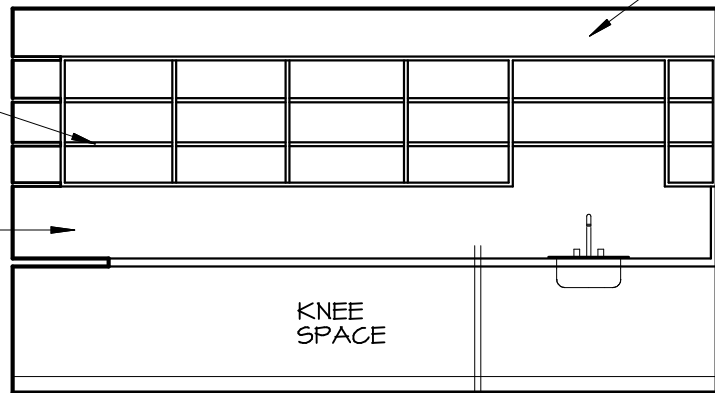
Attachment(s): Revised Lab/Sterile Cabinet Elevations
Lighting Control Diagram-Occupant Sensor / Receptacle Diagram

END OF ADDENDUM

ADJUSTIBLE OPEN
SHELVES WITH
LAMINATE PLASTIC
FACE AND WHITE
MELAMINE INTERIORS

SOLID SURFACE
COUNTER WITH
FULL HGT SPLASH

LAMINATE CLOSER
PANEL TO CEILING

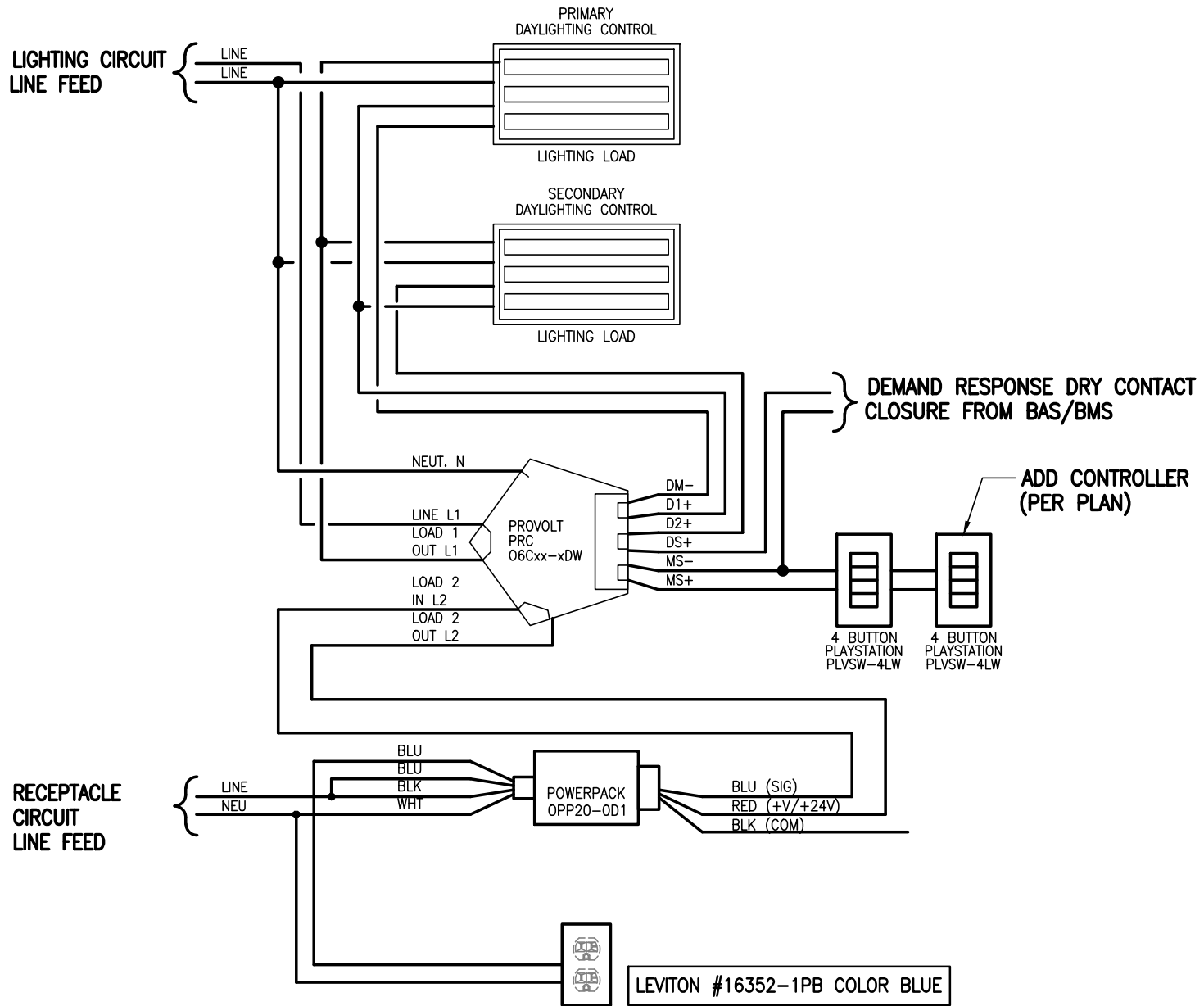


N

S



STERILE / LAB



LIGHTING CONTROL DIAGRAM - OCC SENSOR / RECEPTACLE